

Varenummer: 2307080751
 Beskrivelse: E+G Mini mekanisk tæller
 DD50-AR-05.0-D-GR Grå

Mål

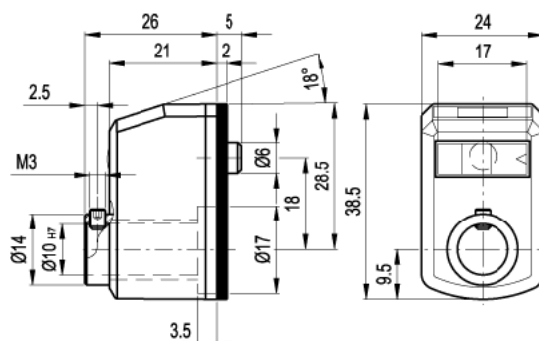


Table of possible combinations								
Reading position	Pitch	Reading after one revolution				Speed (rpm)*	Direction of rotation	Colour
		0	1	0	1			
AN vertical upper	1.0	01.0	0.10	010	1500		AR orange RAL 2004	
AR vertical lower	2.0	02.0	0.20	020	1250		GR grey RAL 7035	
FN front upper	4.0	04.0	0.40	040	625			
FR front lower	5.0	05.0	0.50	050	500		NR black RAL 7021	
	10	10.0	1.00	100	250			

01.0	Standard reading
0.10	Reading available on request (see 17.1.1.1)

D D 5 0 - FR - 0 1 0 - S - GR

* The maximum rotation speed (rpm) of the spindle reported in the table corresponds to a maximum rotation speed of 75,000 units per minute of the test roll on the right side of the counter. Rotational speed tests have been performed in our laboratory under standard operating conditions.

Betegnelsen = Se mål på tegning